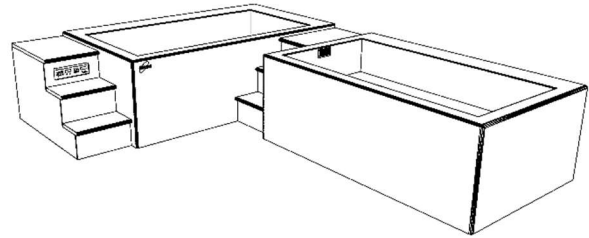


**Model 4965 Cold<sub>2</sub> Warm Hydrotherapy Console**

A versatile and efficient hydrotherapy system for treating multiple athletes. Both warm and cold whirlpool tanks offer whole-body and extremity immersion. Water temperatures are precisely maintained with an internal refrigeration system. No need to add ice or hot water. Standard protocol recommends draining and cleaning only once a week. This self-contained unit fits through a 42" x 84" door and can be installed in new or existing hydrotherapy areas with minimum site preparation.

**Stainless Steel Tanks**

Both tanks are 48" x 96" x 32" deep x 12ga. with a 489-gallon capacity. They are formed and welded from type 304 stainless steel into a seamless unit with coved corners for easy cleaning. These high-quality stainless-steel tanks assure maximum sanitation and provide a lifetime of durable service.

**Corian Surface**

The entire exterior is fabricated with Corian solid surface material. This comfortable and easy to clean surface is extremely durable. Primary exterior color is Cameo White. A wide variety of standard Corian colors are available to select from for the step surfaces and optional team logo inlay.

**Hydrotherapy System**

Independent pumps provide circulation for each tank. Press the timer button and hydrotherapy action is delivered through Comfort-Flo nozzles for 20 minutes. Air controls activate turbo-boost for smooth, high-volume air/water flow.

**Cartridge Filters**

Water cleanliness and clarity is maintained with 100% circulation through two replaceable cartridge filters.

**Water Level Controls**

Both tanks have automatic water level controls to maintain a constant water level. These eliminate manual filling, replace water volume displaced by immersion, and help refresh the tanks.

**Heat Recovery System**

Our unique energy efficient refrigeration system warms the left tank with heat recovered while cooling the right tank. The left tank can also be switched from warm to cold when both tanks are needed for cryotherapy. System is charged with environmentally friendly, zero ozone depletion potential, R-407A refrigerant.

**Temperature Controls**

Electronic controls accurately maintain and digitally display water temperatures to within 0.1°F in both tanks. The left tank is adjustable from 40°F to 110°F, the right tank from 40°F to 70°F.

**Foamed-In-Place Insulation**

At least six inches of foamed-in-place polyurethane insulation surrounds and supports both tanks. This exceptional insulation significantly reduces heat loss. CRYOTherm will pay for itself with energy and water savings when compared to conventional whirlpools.

**Optional Corian Logo Inlays**

Logo inlay pricing is based on the number of Corian colors required. Your logo is carved into the Corian exterior with a CNC router. Individual logo pieces are also carved from the desired Corian color(s) and inlaid to create your custom graphic.

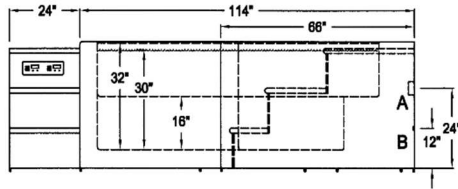
**Installation**

Delivery, installation supervision, and field-testing are provided with the CRYOTherm Cold<sub>2</sub> Warm Hydrotherapy Console.

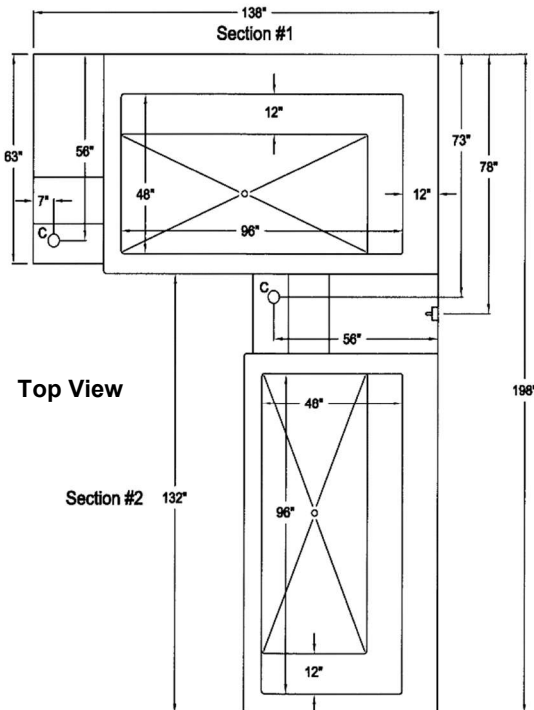
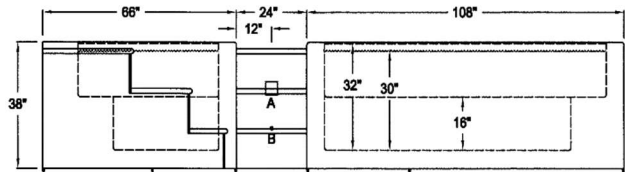


**Specifications**

**Front View**



**Left Side View**



**Top View**

**FDA Listed Medical Device**

**ETL Certified to Meet UL 1795  
Standard for Safety – Hydrotherapy  
Bathtubs**

Left Tank.....40°F to 110°F  
Right Tank.....40°F to 70°F  
Tank Capacities.....489 gal.  
Weight (Filled).....12,758 lb.

**Model 4965 Delivered in two sections**

Weight (Section #1).....2,400 lb.  
Weight (Section #2).....2,200 lb.

**A = Electrical Connection**

<b>208V, 60Hz, Single Phase 4-Wire</b>
Rating at Full Load = 38 Amp Max
* Circuit Breaker = 2-Pole, 50 Amp, GFCI
* Wall Outlet = NEMA 14-50R

(\* Supplied by Customer)

**B = Cold Water Supply Connection**

Pipe Size = 3/4 FPT Brass
Backflow Preventer = Included with CRYOTherm
Water Temperature = 45°F Min. 80°F Max.
Water Pressure = 20 PSI Min. 60 PSI Max.

**C = Drain Outlet**

Pipe Size = 2" Copper
Flow = 40 GPM
Floor Sink with 4-inch drain is recommended

**One-Year Warranty**

The CRYOTherm warranty applies to purchaser and any subsequent owner. Grimm Scientific Industries, Inc. (warrantor) warrants this product to be free from defects in material and workmanship under normal use for one year from the date the product is installed. The warrantor may opt to replace the product, rather than repair it. This warranty does not cover damage resulting from accidents, improper use, or maintenance of this product, and in no case shall warrantor's liability exceed the original purchase price paid for the product. This warranty is expressly in lieu of all other express warranties.

**Contact Us:**

Grimm Scientific Industries, Inc  
P.O. Box 2143  
Marietta, OH 45750  
Phone....800-223-5395  
Fax.....740-374-5745  
E-mail....info@grimmscientific.com

